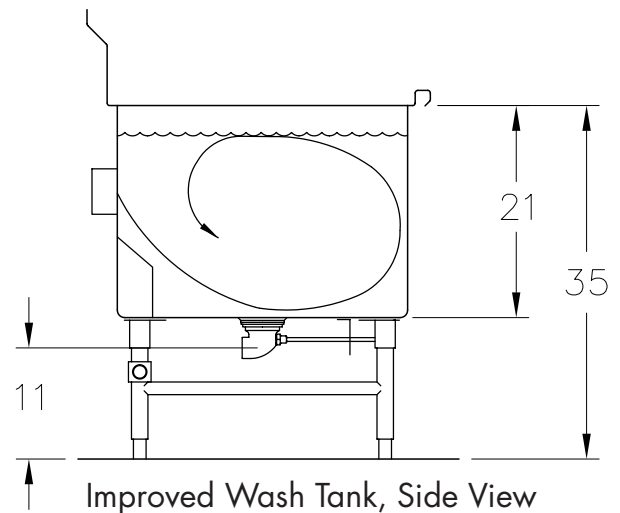
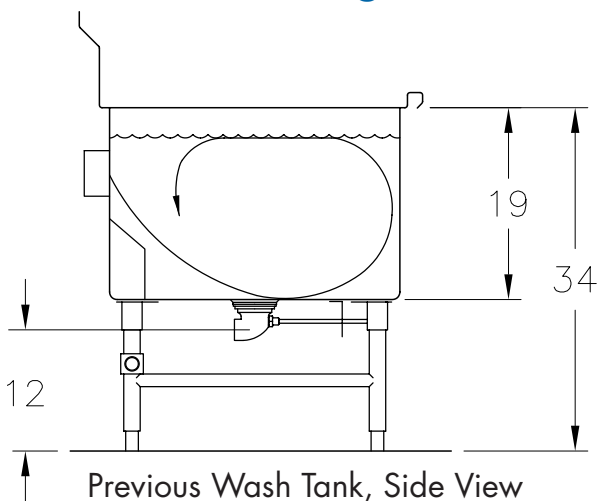


Specifications

Power Soak Systems is introducing a new 21" deep wash tank to enhance the effectiveness of our warewashing systems. Power Soak is able to offer this improvement with an overall working height increase of just 1 inch. Details include:

- Increased wash capacity (12.5%) in the same footprint as our current 19" deep wash tanks.
- More effective washing as a result of improved water motion and rotation of the wares, which results in more efficient cleaning.
- Reduced wear on pots and pans as the increased volume and improved rotation decrease the number of "bottom of the tank" impacts during a wash cycle.
- The jets are placed lower in the new wash tank, which reduces the potential for wash water "splash out".
- The deeper wash tanks will accommodate the new sheet pan racking system option.
- Increased capacity allows for larger items to be washed.
- The deeper wash tank improves pump GPM capacity which results in an increased flow rate without increasing the discharge pressure, the required horsepower or energy usage.
- Increased depth will still accommodate standard plumbing.

Detailed Drawing



Contact

Power Soak Systems, Inc.
903 E. 104th Street, Suite 130
Kansas City, MO 64131
800-444-9624
www.powersoak.com